

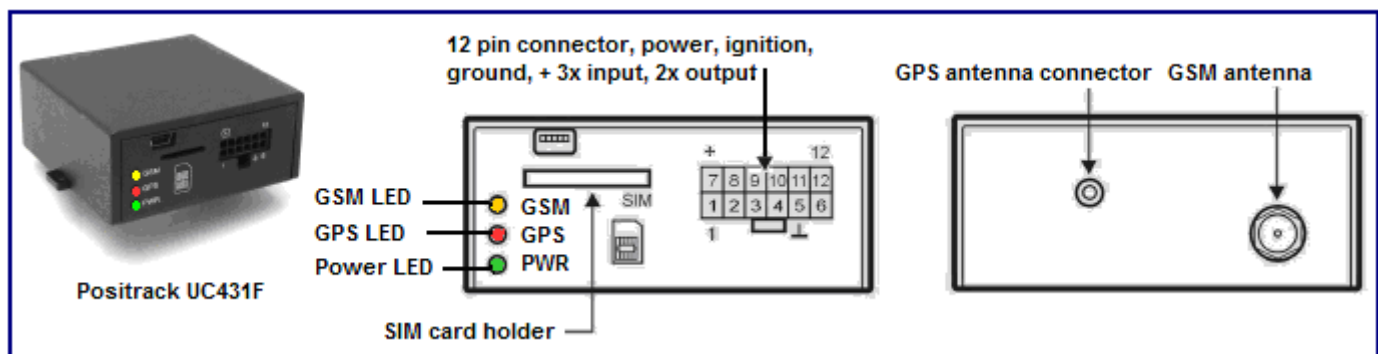
SIM Card SPEC / Setup Requirements

- **SIM must be able to exchange data with the public internet.** Test with the SIM in the phone.
- **SIM must be able to send & receive international SMS text messages.** Put SIM in a phone and test! Send SMS to 13055252727, put the message “Testing SMS messaging, please Reply”.
- Know the Access Point Name [commonly known as APN] of your SIM card cellular provider.
- Know the SIM card telephone number.
- Make sure SIM is GPRS data plan enabled, usage is approximately 1-5 MB of data per month.
- Make sure that the SIM PIN is switched to “OFF”. To do this insert SIM into a phone and go to option “Settings”, then “Security” then look for SIM or SIM PIN and make sure it is set to “OFF”.

YOU MUST test all items listed above in a phone FIRST before installing into device.

NOW YOU ARE READY TO PUT THE SIM CARD IN THE TRACKING DEVICE!

Send the APN and the SIM telephone number to John@MotoMon.com.



Basic Trouble Shooting

1. Check the funds available or the Data Plan. Are there funds available? Is data plan active?
2. Check the installation wiring, see wiring diagram:

Red connect to constant power source
Yellow connect to power that goes on and off along with the ignition of the vehicle
Blue connect to the vehicles ground

3. Check the LED lights on device

GSM 2 quick yellow blinks, means GSM module & GPRS are connected and locked to the network.

GPS All Red blinking will completely stop when GPS module has valid data and locked onto satellites’.

Power 1 green blink every 10 seconds; unit is in sleep mode, 2 green blinks unit is operating normally.

***Note: GPS module could take 5 minutes to acquire & lock onto all satellites [LED will go out]